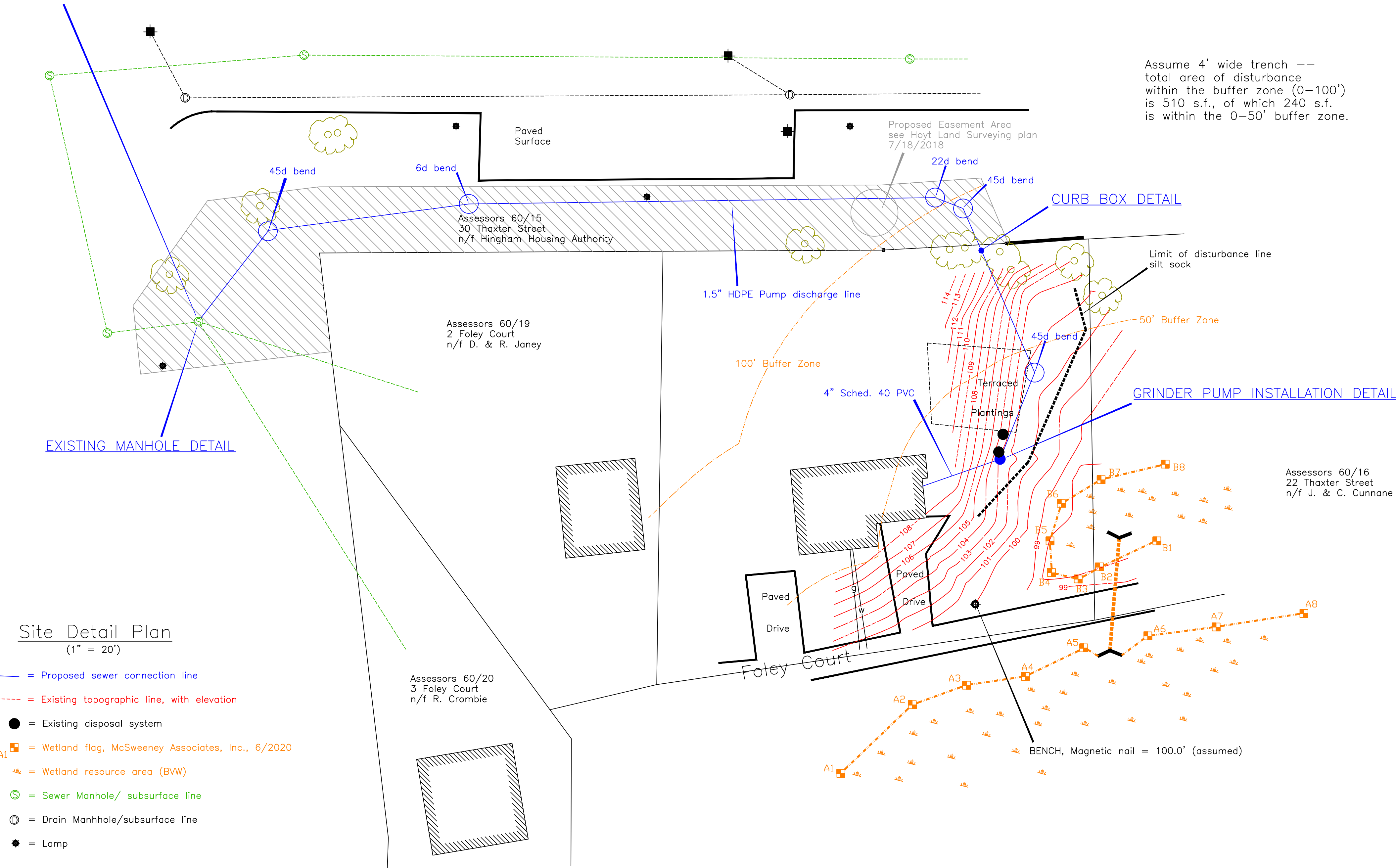
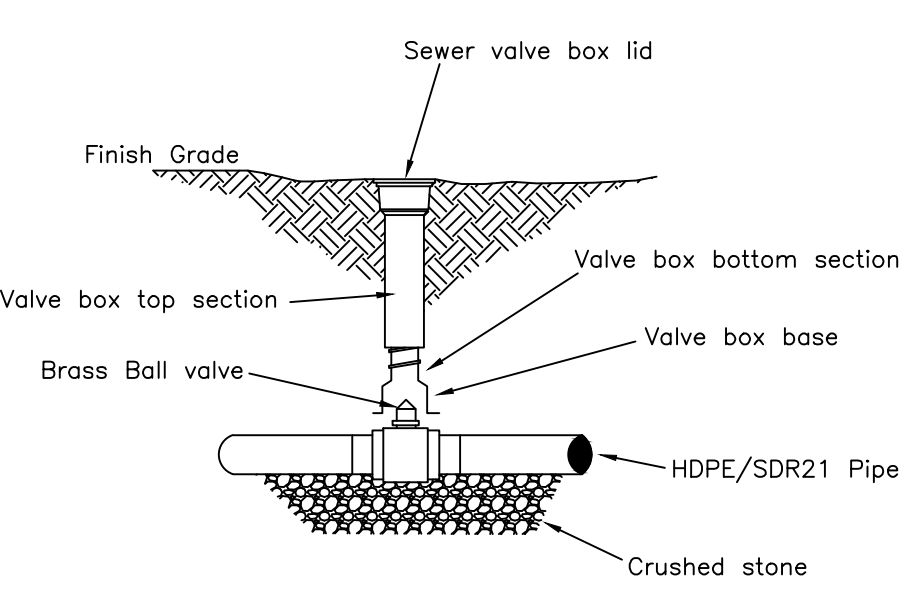


FORCE MAIN CONNECTION MANHOLE DETAIL

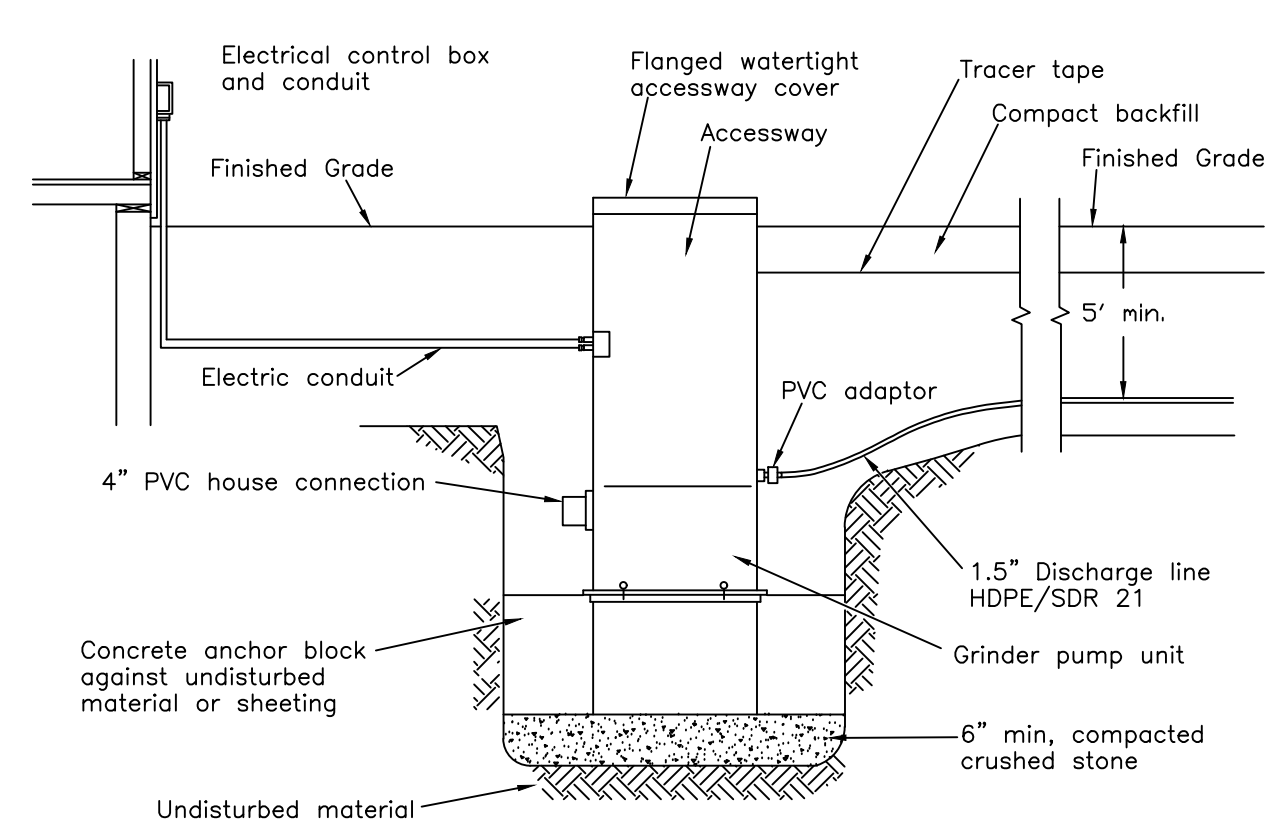


Site Detail Plan
(1" = 20')

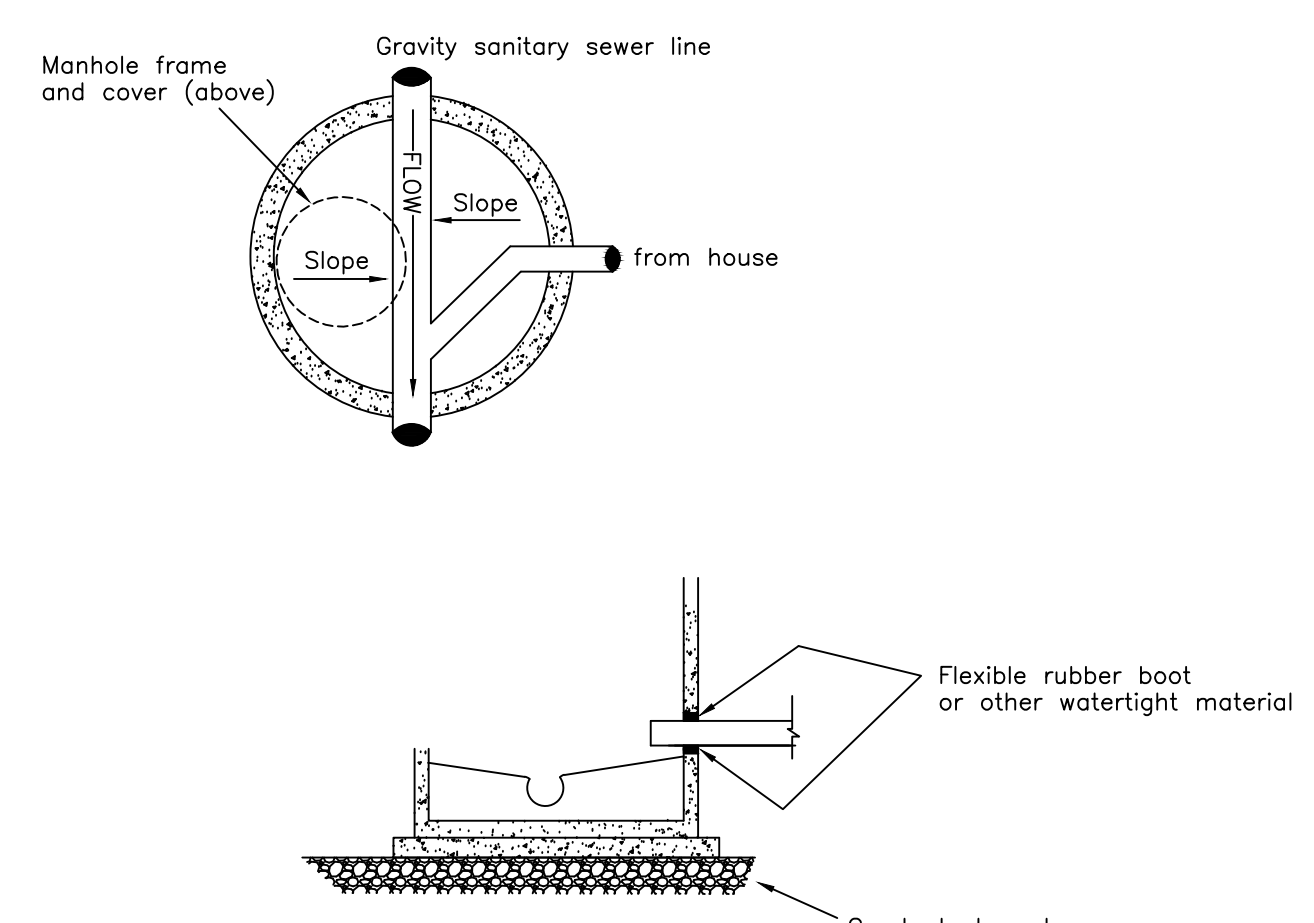
- = Proposed sewer connection line
- - - - = Existing topographic line, with elevation
- = Existing disposal system
- A1 = Wetland flag, McSweeney Associates, Inc., 6/2020
- ⚡ = Wetland resource area (BWV)
- ⊙ = Sewer Manhole/ subsurface line
- ⊕ = Drain Manhole/subsurface line
- ★ = Lamp



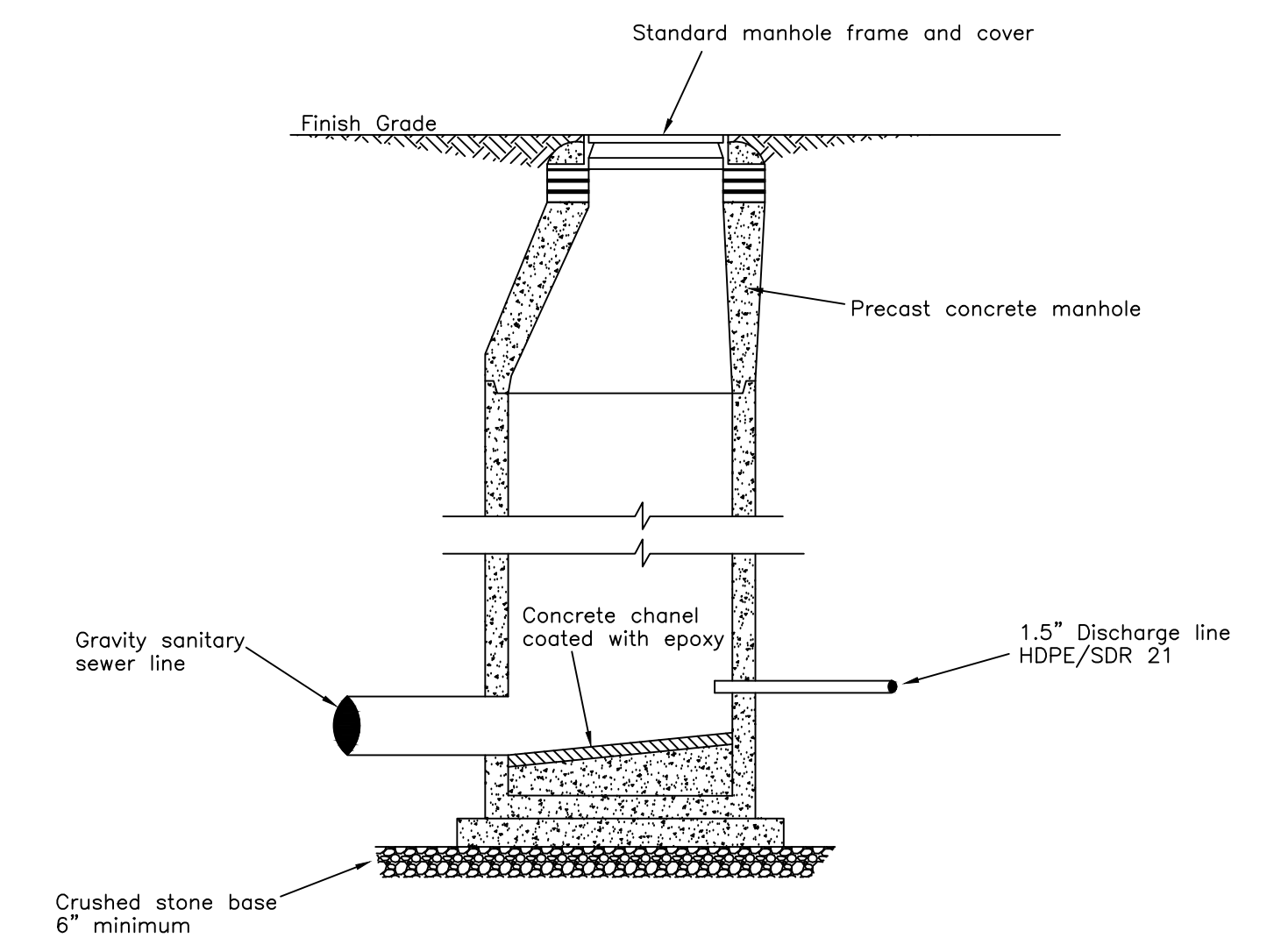
CURB BOX DETAIL
n.t.s.



GRINDER PUMP INSTALLATION DETAIL
n.t.s.



EXISTING MANHOLE DETAIL
n.t.s.

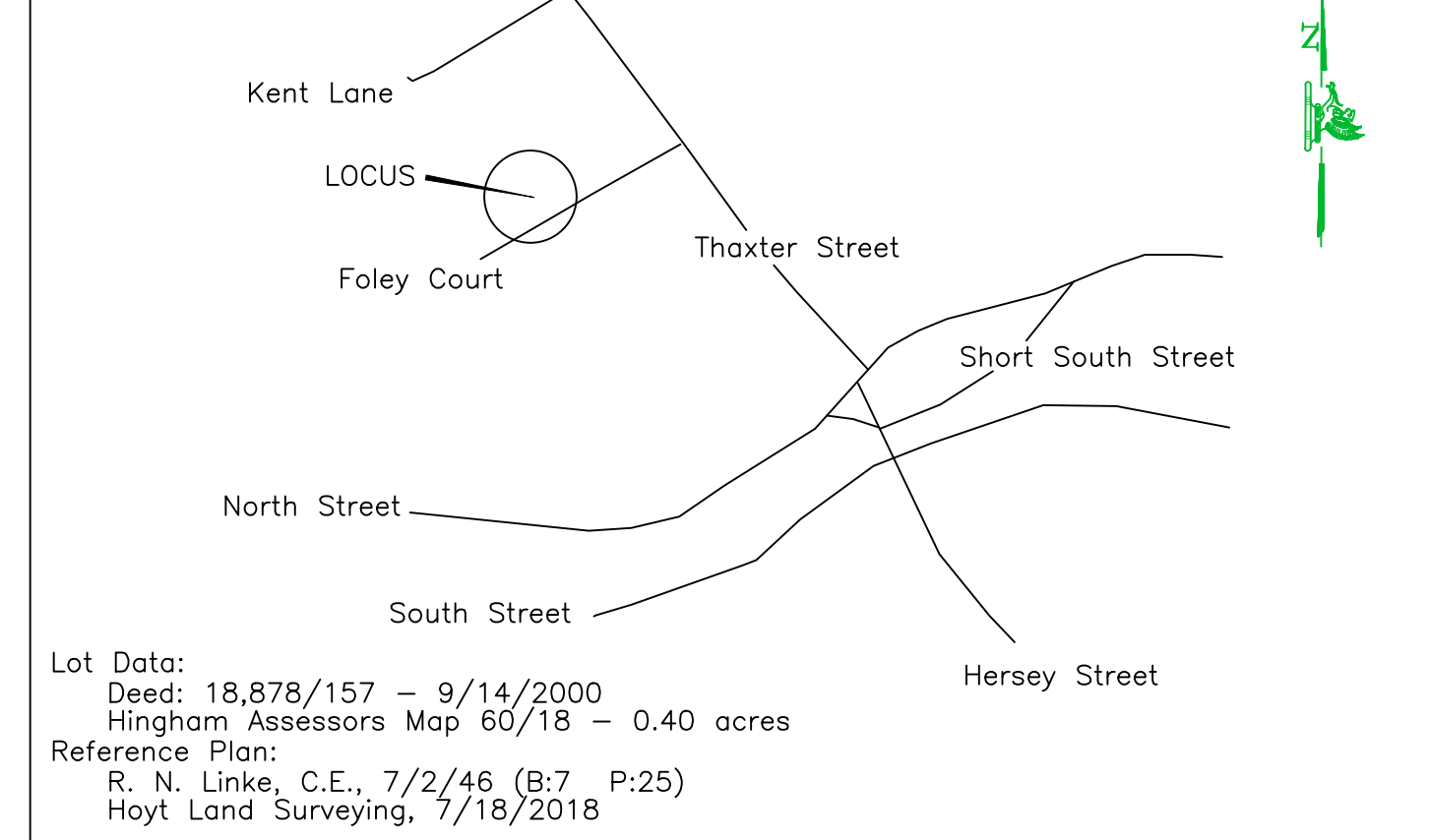


FORCE MAIN CONNECTION MANHOLE DETAIL
n.t.s.

NOTES:

1. The existing sewage disposal system must be removed in accordance with Hingham Board of Health Rules and Regulations (permit required.)
2. Coring of the existing sewer manhole and reconstruction of the current invert channel must be inspected by the Hingham Sewer Department prior to being put into use.
3. If possible, the new sewer line is to be installed at least 48" below surface grade. In locations where this is not possible (i.e. shallow bedrock) the sewer pipe must be insulated prior to backfill.

Locus Map



Revisions:	
2/5/2020	- Per Weston & Sampson review (TM)
6/25/2020	- Revise wetland line (TM)

McSweeney Associates, Inc. McS Environmental Engineering	Prop. Sewer Connection 1 Foley Court Hingham, Massachusetts	Job Reference: Randall Scale: As Noted Date: 11/7/2018 Drawn By: T McS Checked By: C McS
	745 Winter Street, Hanson, MA 02341 Thomas F. McSweeney 1894-1977 Brian McSweeney 1923-2015 Terence K. McSweeney 781-826-4571 Colin T. McSweeney 781-570-9381	Job Reference: Randall Scale: As Noted Date: 11/7/2018 Drawn By: T McS Checked By: C McS